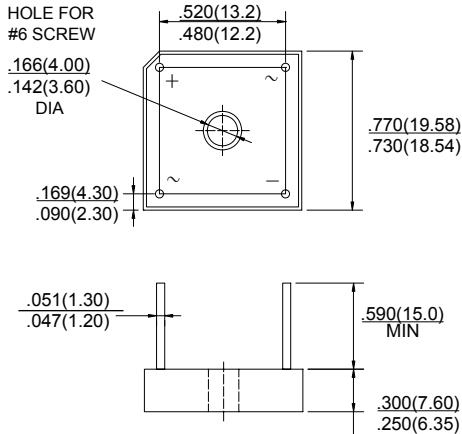


KBPC1005 THRU KBPC1010

Bridge Rectifier

Voltage Range - 50 to 1000 Volts Current - 10.0 Ampere

KBPC8



Dimensions in inches and (millimeters)

FEATURES

- ◆ Glass passivated chip
- ◆ High surge forward current capability

MECHANICAL DATA

Case: Molded plastic body
Lead: Solder plated
Polarity: As marked

MAXIMUM RATINGS AND ELECTRICAL CHARACTERISTICS

Limiting Values (Absolute Maximum Rating)

Item	Symbol	Unit	Conditions	KBPC10							
				005	01	02	04	06	08	10	
Repetitive Peak Reverse Voltage	V_{RRM}	V		50	100	200	400	600	800	1000	
Average Rectified Output Current	I_o	A	60Hz sine wave, R- load, $T_a=40^\circ\text{C}$	10.0							
Surge(Non-repetitive)Forward Current	I_{FSM}	A	60Hz sine wave, 1 cycle, $T_a=25^\circ\text{C}$	200							
Current Squared Time	I^2t	A^2s	$1\text{ms} \leq t < 8.3\text{ms}$ $T_j=25^\circ\text{C}$, Rating of per diode	166							
Storage Temperature	T_{stg}	$^\circ\text{C}$		-55 ~ +150							
Junction Temperature	T_j	$^\circ\text{C}$		-55 ~ +150							

Electrical Characteristics ($T = 25^\circ\text{C}$ Unless otherwise specified)

Item	Symbol	Unit	Test Condition	Max
Peak Forward Voltage	V_{FM}	V	$I_{FM}=5.0\text{A}$, Pulse measurement, Rating of per diode	1.1
Peak Reverse Current	I_{RRM}	μA	$V_{RM}=V_{RRM}$, Pulse measurement, Rating of per diode	10
Thermal Resistance	$R_{\theta J-A}$	$^\circ\text{C}/\text{W}$	Between junction and ambient	5

RATINGS AND CHARACTERISTIC CURVES KBPC10005 THRU KBPC1010

